



Barford T722R Tracked Trommel



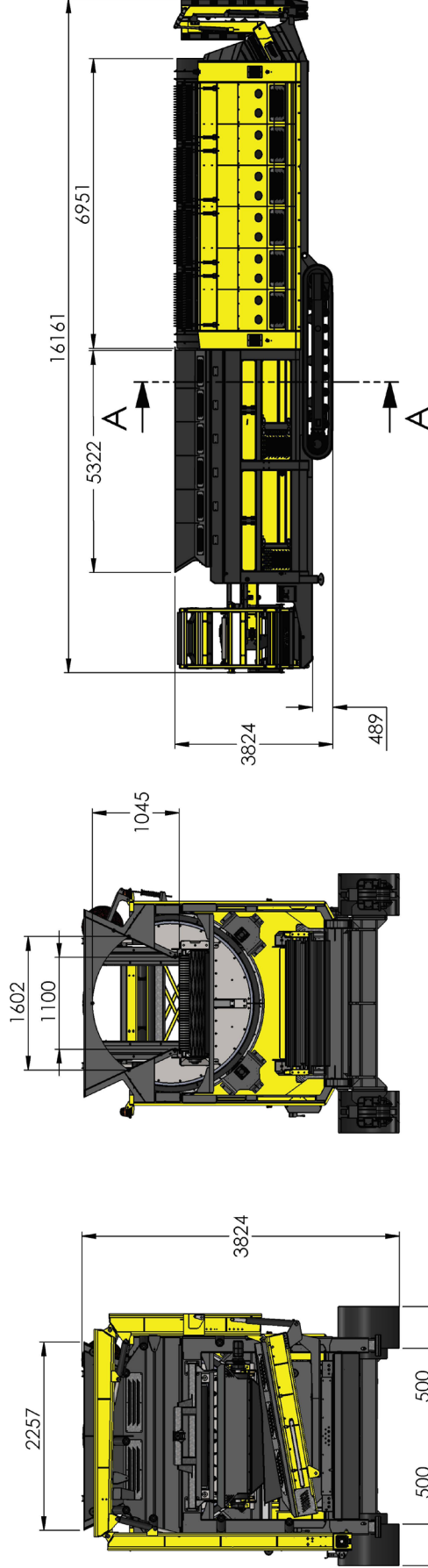
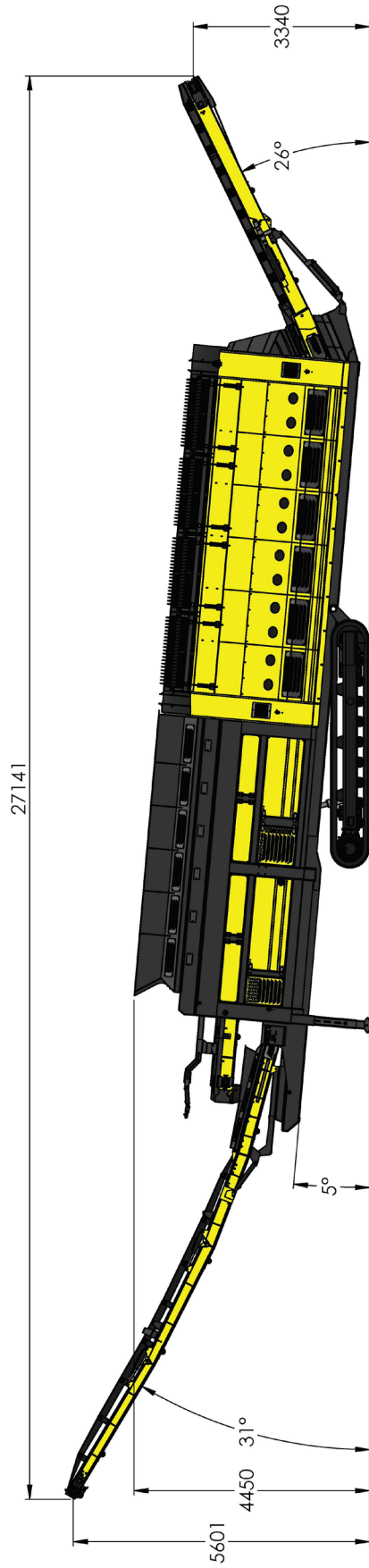
Power Unit: CAT 4.4 98KW Engine, 7" x 22" (6951mm x 2000mm) Drum, 180° Radial Fines Conveyor, Variable Screening Angle, Intelligent Load Sensing Valve, 9m³ Hopper Capacity, Hyd Jack Legs

Options: Dual Power, Solid Drum

Visit our website for full inventory
www.barford.com



Barford T722R Tracked Trommel



Weight: 30,000kg/66,140lbs