

RTH

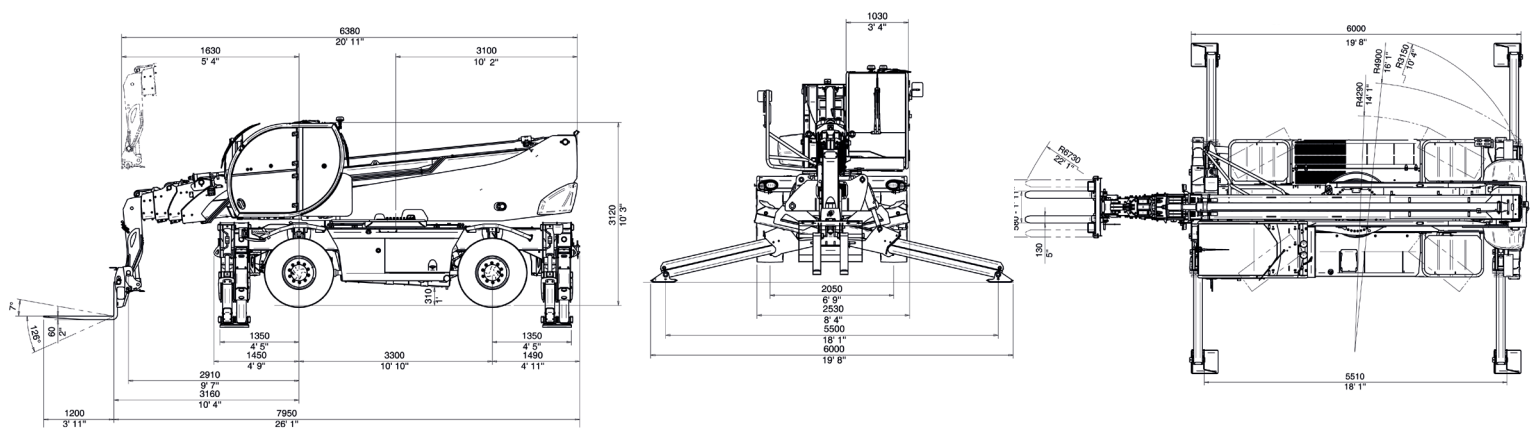
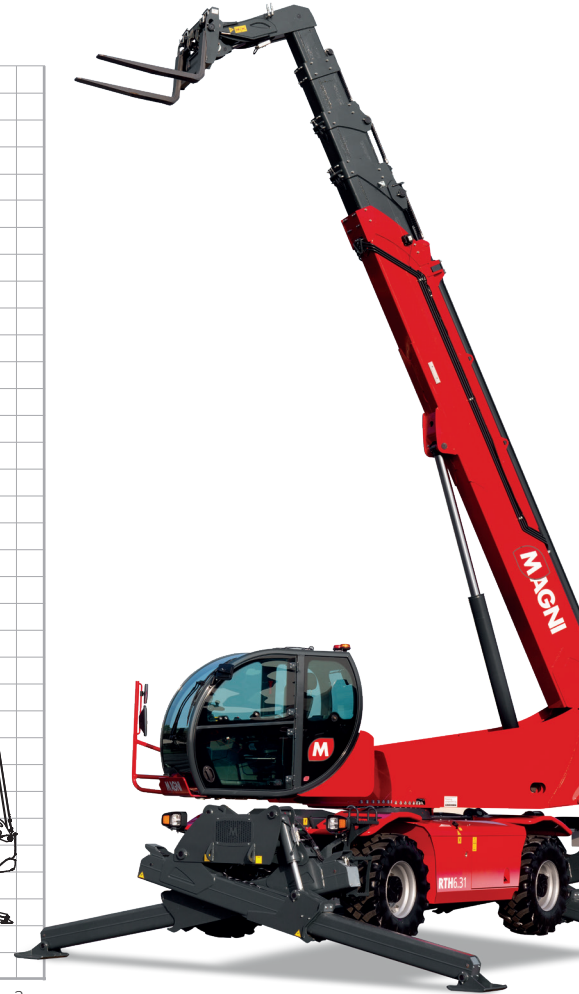
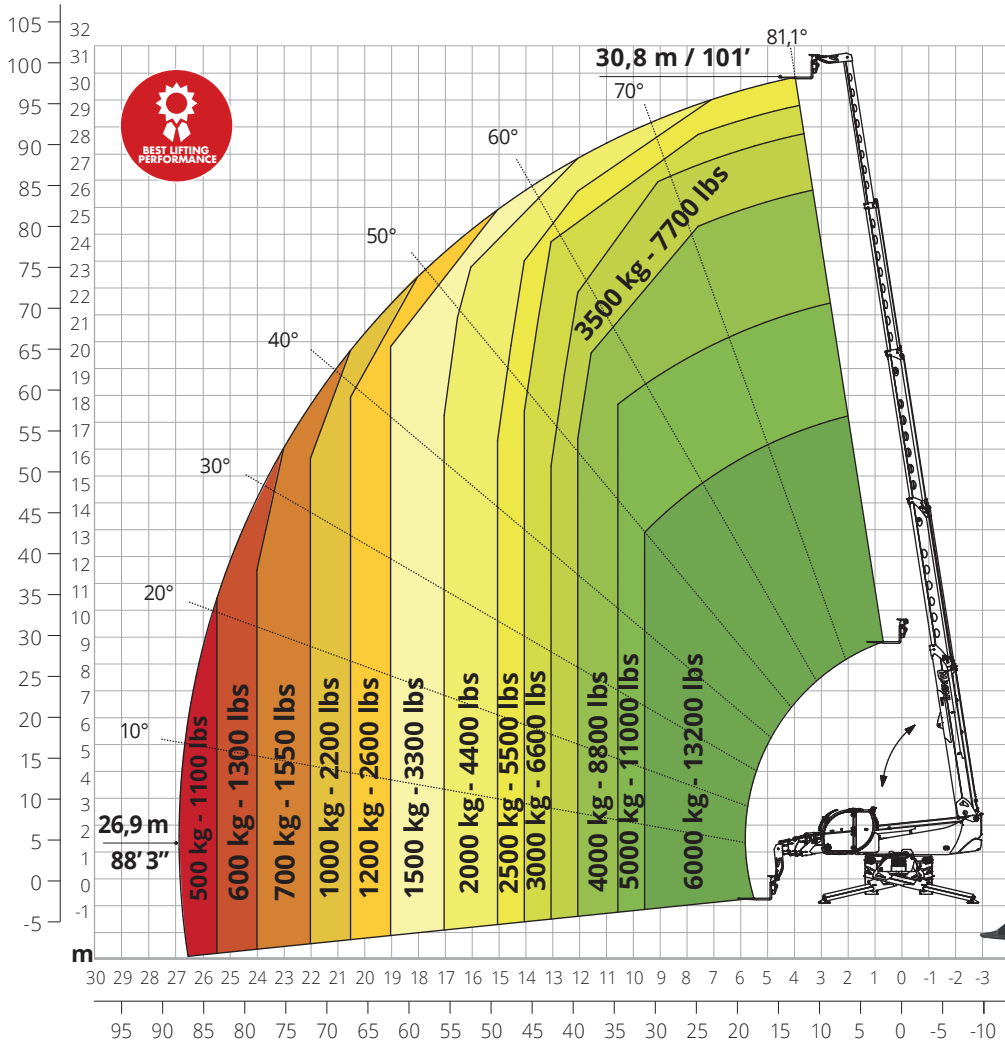


Model available from September 2023
Order intake from February 2023

6.31

PRELIMINARY

360° Load chart on fully extended stabilizers



RTH 6.31

PRELIMINARY

	Rotatingy telescopic handler	RTH 6.31	
Machine model	Maximum lifting capacity	6.000 kg / 13,200 lbs	
	Maximum reach	26,9 m / 88' 3"	
	Maximum lifting height	30,8 m / 101'	
	Rotation	360° (continuous)	
	Stabilizers	Type	Scissors Stabilizers with single telescopic extension (Magni patented)
Commands		Independent or combined	
Engine	Type	Volvo TAD 582 VE Stage V	Volvo TAD 552 VE Stage IIIA
	Rated Power	160 kW (218 hp) @ 2.300 rpm	160 kW (218 hp) @ 2.200 rpm
	Maximum torque	925 Nm @ 1.380 rpm	910 Nm @ 1.450 rpm
	Displacement	5130 cm ³	
	Cylinders	4 in linea	
	Engine configuration	Turbocharged direct injection diesel	
	Cooling System	Water - Intercooler	
	N. batteries	2 x 12 V	
	Battery type	SHD	
	Batteries capacity	1200 A-190 Ah	
Transmission	Type	Hydraulic	
	Maximum pressure	480 bar	
	Gearbox	2 speeds forward-reverse	
Axles and brakes	Type	Axles with planetary gearboxes	
	Front axle	Oscillating, steering with levelling +/-8°	
	Rear axle	Oscillating and steering with hydraulic locking	
	N. steering weels	4WD	
	Steering types	Front/Round/Crab	
	Service brake	Hydraulically operated wet multi-disk brakes on each axle	
	Parking brake	Hydraulic with negative action	
	Tyre sizes	445/65 R22,5	
Performance	Max. travel speed	40 km/h	
	Drawbar pull	89 kN	
	Gradeability	41%	
	Turning circle (at forks)	6.730 mm / 22' 1"	
Weights	Total unladen	22.600 kg / 49,824 lbs	
	Front axle unladen (boom retracted and lowered)	10.600 kg / 23,369 lbs	
	Rear axle unladen (boom retracted and lowered)	12.000 kg / 26,455 lbs	
Tank and system capacities	Diesel fuel tank	270 l / 71 US gal	270 l / 71 US gal
	AdBlue	40 l / 10.5 US gal	/
	Hydraulic fluid	135 l / 36 US gal	135 l / 36 US gal
	Engine oil	16 l / 4 US gal	16 l / 4 US gal
	Cooling liquid	40 l / 10.5 US gal	40 l / 10.5 US gal
Hydraulic circuit for movements	Circuit type	Load sensing	
	Service pump	Variable displacement piston pump	
	Max hydraulic capacity	170 l/min	
	Max. working pressure	350 bar	
	Distributor for boom and turret movements	SIL 2 electro-proportional valve	
	Movements control	2 no. two-axis Danfoss joysticks with deadman safety device	
Standards met	EN 1459-2: concerning standards for slewing variable-reach trucks EN 280 / EN 280-1: concerning standards for mobile elevating work platforms FOPS Level 2 / ROPS EU 2016/1628: concerning engine emissions standards		

The data in this brochure are informative and subject to change without notice. All Pictures shown are for illustration purpose only. Actual product may vary.